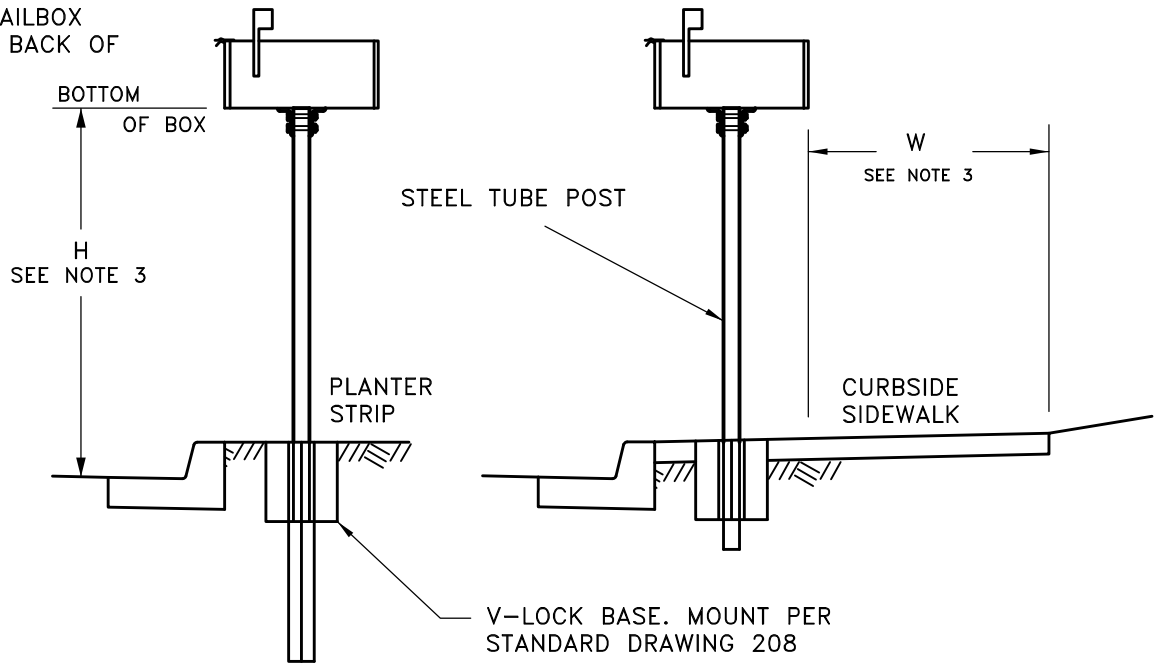
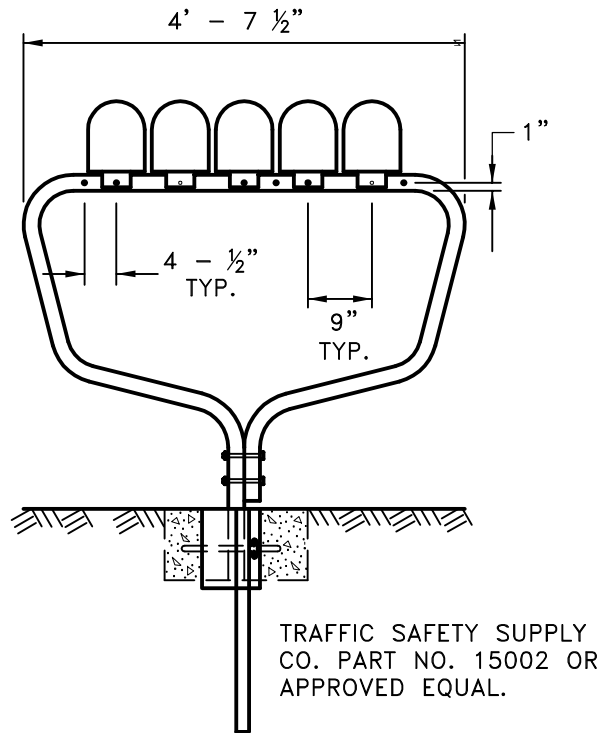


FACE OF MAILBOX  
EVEN WITH BACK OF  
CURB.



SINGLE SUPPORT



MULTIPLE SUPPORT

GENERAL NOTES

1. CONTACT THE UNITED STATES POSTAL SERVICE FOR LOCATION OF MAILBOX.
2. ON STREETS WITHOUT CURBS, THE FRONT OF THE MAILBOX SHALL BE LOCATED AT THE OUTSIDE EDGE OF THE SHOULDER.
3. W = 6' MIN. CLEAR SPACE FOR LOCAL STREETS. 7' MIN. CLEAR SPACE FOR ARTERIAL AND COLLECTOR STREETS.  
H = 50" MIN., 52" MAX. ON IMPROVED STREETS. 36" MIN., 38" ON NON-IMPROVED STREETS.
4. SEE DETAIL DWG. NO. 314 FOR REQUIREMENTS RELATIVE TO CONSTRUCTION OF SIDEWALK AROUND OBSTACLES.

TRAFFIC SAFETY SUPPLY  
CO. PART NO. 15002 OR  
APPROVED EQUAL.

<b>CITY OF ALBANY, OREGON PUBLIC WORKS DEPARTMENT</b>		
<b>MAILBOX LOCATION</b>		
NO SCALE	REV. JAN. 2012	NO. 202A