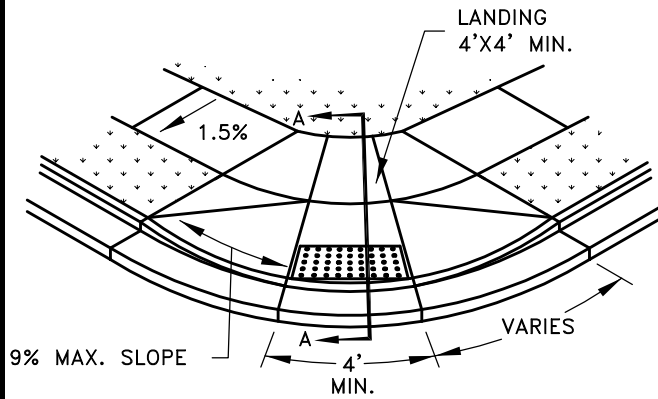
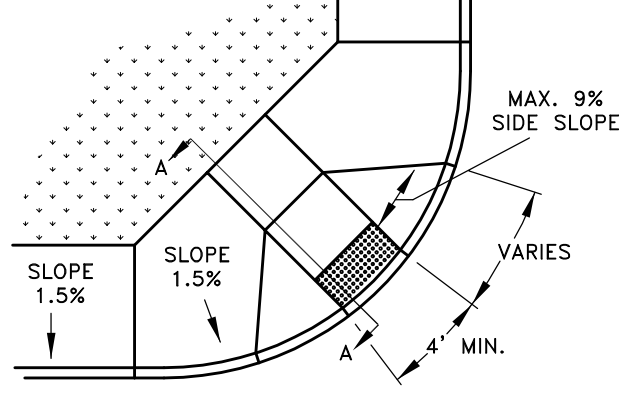


TYPE A NOTE: ONLY ONE RAMP SHOWN FOR CLARITY. TYPICAL CURB RETURN WILL HAVE TWO RAMPS.



**TYPICAL CURB RAMP DETAIL
SETBACK SIDEWALK**

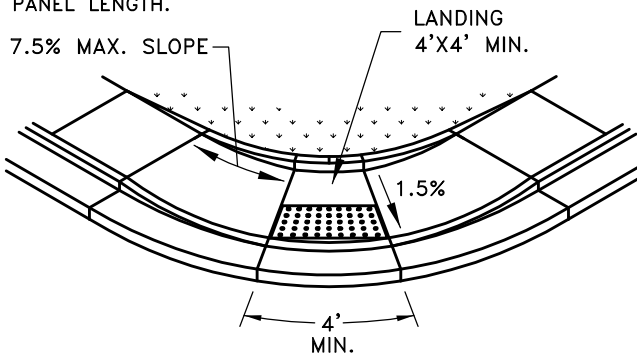
TYPE B NOTE: ONLY ONE RAMP SHOWN FOR CLARITY. TYPICAL CURB RETURN WILL HAVE TWO RAMPS.



**TYPICAL CURB RAMP DETAIL
CURBSIDE SIDEWALK**

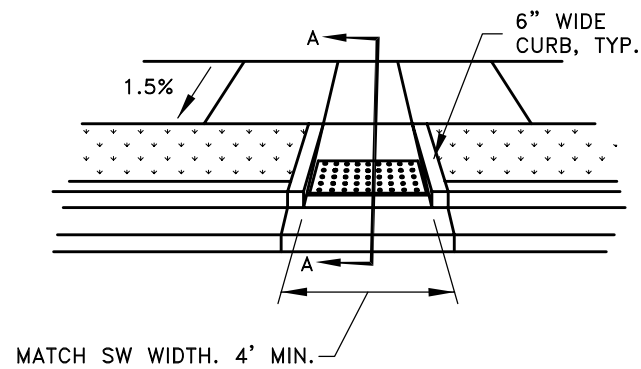
TYPE C NOTE: ONLY ONE RAMP SHOWN FOR CLARITY. TYPICAL CURB RETURN WILL HAVE TWO RAMPS.

CONSTRUCT 6" WIDE CURB BEHIND DEPRESSED LANDING. TRANSITION TO MATCH BACK OF SIDEWALK OVER ONE PANEL LENGTH.



DEPRESSED LANDING, RAMP DETAIL

TYPE D NOTE: ONLY ONE RAMP SHOWN FOR CLARITY. TYPICAL CURB RETURN WILL HAVE TWO RAMPS.

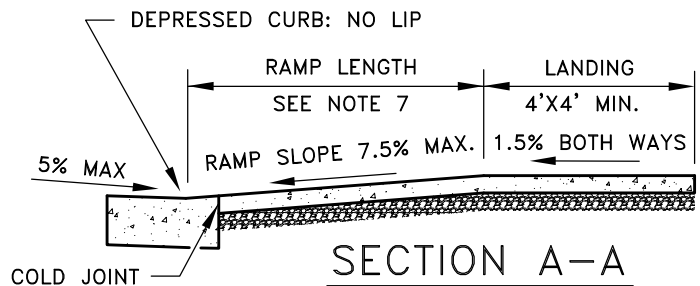


DISAPPEARING CURB, RAMP DETAIL

APPROVED TRUNCATED DOMES*

MANUFACTURER	PRODUCT
ADA SOLUTIONS	CAST-IN-PLACE REPLACEABLE
ARMORCAST	WET SET PANEL
ENGINEERED PLASTICS, INC.	ARMOR-TILE CAST-IN-PLACE ADA-C-2448
ACCESS TILE	CAST-IN-PLACE REPLACEABLE

*SEE NOTE 1



NOTES:

- TRUNCATED DOMES SHALL BE BRICK RED IN COLOR, EXCEPT IN DOWNTOWN ALBANY WHERE THEY SHALL BE BLACK IN IN COLOR. TRUNCATED DOMES SHALL EXTEND ACROSS THE FULL WIDTH OF THE RAMP.
- TRUNCATED DOMES SHALL BE CAST IN PLACE IN FRESH CONCRETE AND SHALL BE INSTALLED IN ACCORDANCE WITH THE MANUFACTURER'S RECOMMENDATIONS.
- EACH STREET CROSSING SHALL HAVE A DEDICATED CURB RAMP AT EACH END.
- RAMPS SHALL BE CONSTRUCTED PERPENDICULAR TO THE CURB. IN CIRCUMSTANCES IN WHICH THAT IS NOT POSSIBLE, CONTRACTOR SHALL SEEK DIRECTION FROM THE CITY ENGINEER.
- ALL CURB RAMPS SHALL COMPLY WITH THE CURRENT ACCESSIBILITY GUIDELINES FOR PEDESTRIAN FACILITIES IN THE PUBLIC RIGHT-OF-WAY PUBLISHED BY THE U.S. ACCESS BOARD.
- MAXIMUM RAMP SLOPE SHALL BE 12:1. MAXIMUM RAMP LENGTH SHALL BE 15' REGARDLESS OF SLOPE.
- RAMPS SHALL CONFORM TO THE REQUIREMENTS OF STANDARD DRAWING NO. 313 FOR PCC AND BASE.
- THE LOCATION AND GEOMETRY OF CURB RAMPS SHALL BE DESIGNED BY THE PROJECT ENGINEER IN ACCORDANCE WITH THE AMERICANS WITH DISABILITIES ACT, THE ALBANY DEVELOPMENT CODE, AND THE ALBANY ENGINEERING DESIGN STANDARDS.

CITY OF ALBANY, OREGON PUBLIC WORKS DEPARTMENT		
CURB RAMPS		
NO SCALE	JANUARY 2018	NO. 315